

# SYNDEO BY TAGRA® - 12V PLUG AND PLAY MULTI-PORT LED DRIVER



## TECHNICAL INFORMATION

Drivers	30W	60W	80W
SKU Code	SYN-12V30W	SYN-12V60W	SYN-12V80W
Input Voltage	AC220-240V	AC220-240V	AC220-240V
Output Voltage	12V	12V	12V
Input Current	0.2A	0.38A	0.5A
Max Total Output Current	-	5A	6.67A
Output Current Per Port	2.75A	2.75A	2.75A
Frequency	50/60Hz	50/60Hz	50/60Hz
Inrush Current	8.56A	58.6A	61A
Power Factor	PF>0.9	PF>0.9	PF>0.9
Short Circuit Protection	Yes	Yes	Yes
Overload Protection	Yes	Yes	Yes
Thermal Protection	Yes	Yes	Yes
Surge Protection	Yes	Yes	Yes
Working Temperature	-15°C to +45°C	-15°C to +45°C	-15°C to +45°C
Efficiency	>85%	>85%	>85%
IP Rating	IP20	IP20	IP20
Certification	CCC/TUV-CE/CB	CCC/TUV-CE/CB	CCC/TUV-CE/CB

- [syndeosystem.com](https://syndeosystem.com)
- 0161 442 1180
- [orders@syndeosystem.com](mailto:orders@syndeosystem.com)

## FEATURES & BENEFITS

- Wiresafe Technology
- Plug & Play Simplicity
- A new level of safety
- Professional Integration
- Premium Interactivity

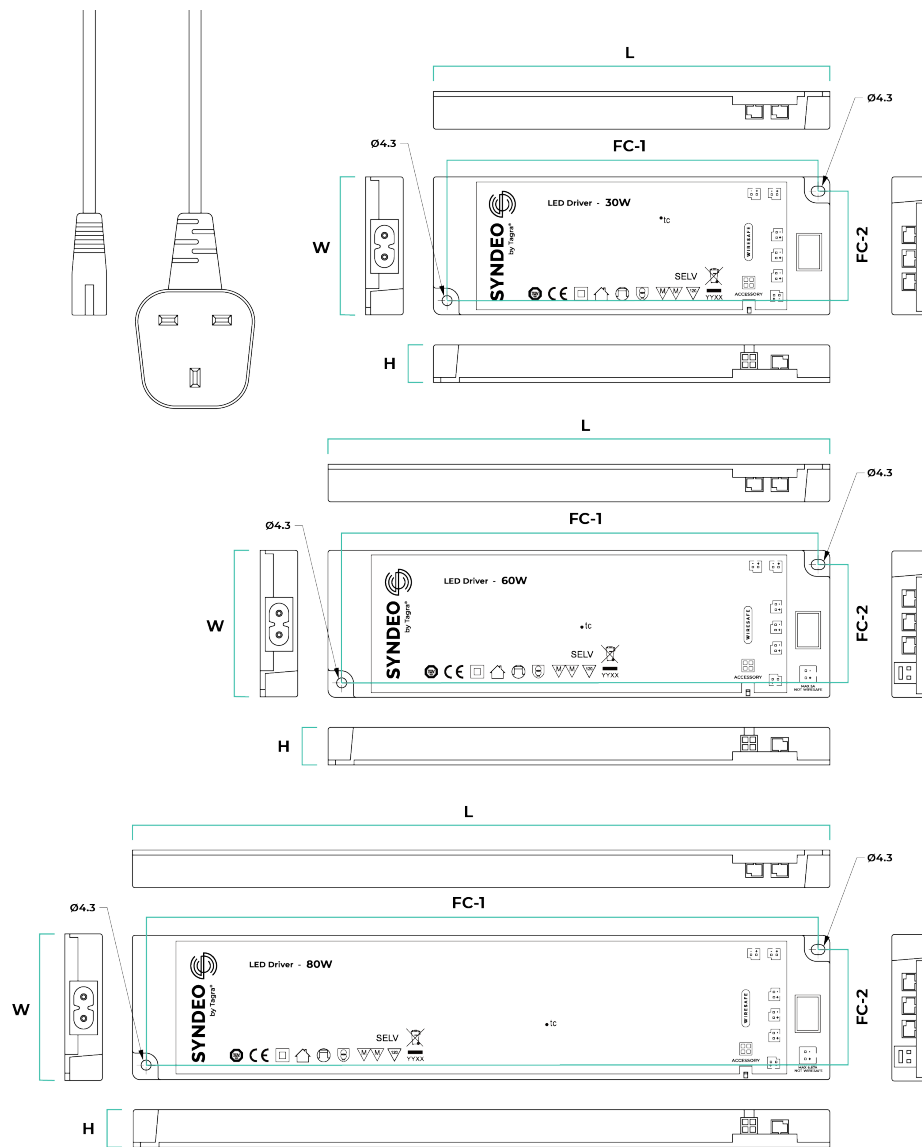
## PRODUCT OVERVIEW

Syndeo by Tagra® delivers a safe and simple, plug and play LED lighting system for professionals and DIY-ers alike.

### WIRESAFE

This technology monitors the current being delivered to the ports and automatically cuts off power if the port exceeds 2.75A. This feature included in all Syndeo drivers offers a level of protection that's revolutionary to the driver market and conforms to DC Retail Lighting Standards.

Drivers	30W	60W	80W
Safety Standards	EN5022/ EN55015:2013/ A1:2015	EN5022/ EN55015:2013/ A1:2015	EN5022/ EN55015:2013/ A1:2015
Power Connection	IEC C7 Figure 8	IEC C7 Figure 8	IEC C7 Figure 8
Power Cable Length	1500mm	1500mm	1500mm
Number of Ports	6	6	6
Accessory Port	Yes	Yes	Yes



### 30W Driver

- Length - 158mm
- Width - 56mm
- Height - 16.5mm
- Weight - 0.12kg
- FC-1 - 148.3mm
- FC-2 - 46mm

### 60W Driver

- Length - 199mm
- Width - 60mm
- Height - 16.5mm
- Weight - 0.25kg
- FC-1 - 189.3mm
- FC-2 - 50mm

### 80W Driver

- Length - 276mm
- Width - 60mm
- Height - 16.5mm
- Weight - 0.346kg
- FC-1 - 266.3mm
- FC-2 - 50mm

## DRIVER DIAGRAMS