



# SYNDEO BY TAGRA® - 12V & 24V SENSORS, SWITCHES & DIMMERS



 [syndeosystem.com](https://syndeosystem.com)

 0161 442 1180

 [orders@syndeosystem.com](mailto:orders@syndeosystem.com)

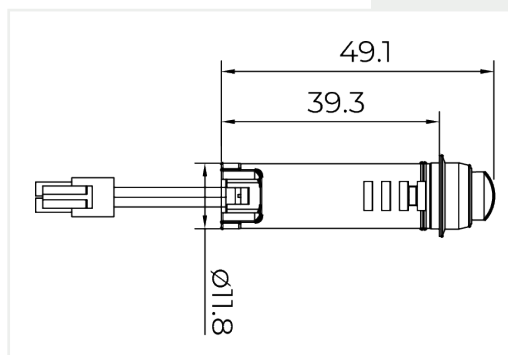
## FEATURES & BENEFITS

- Surface mountable or recessable installation capabilities
- Compatible with both the 12V & 24V Syndeo systems
- Compact design allowing easy and effective concealment within furniture
- Short and long range motion detection
- BS7671 Compliant



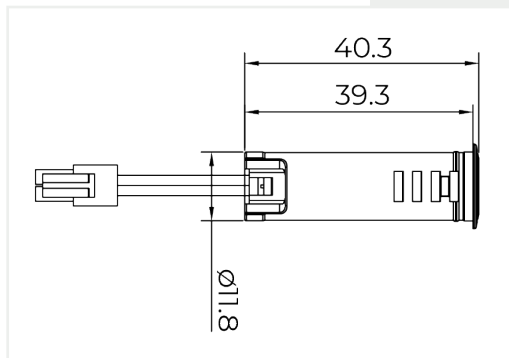
## TECHNICAL INFORMATION

Sensor	PIR
SKU Code	SYN-PIRSWITCH
Voltage	12V + 24V
Standby Power	< 0.3W
Sensor Range	0 - 3000mm
Material	Plastic
Colour	Silver
Cable Length	2000mm
IP Rating	IP20
Installation	12mm Cut-Out
Dimensions (mm)	L 49.1 x W 11.8



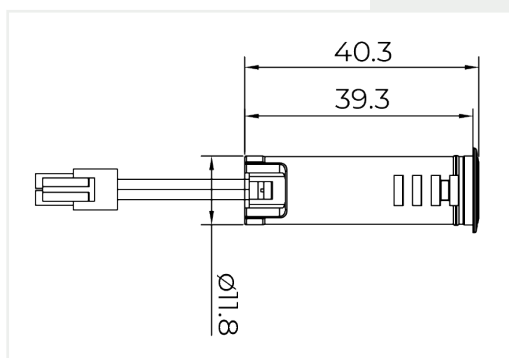
**PIR SENSOR**

Sensor	Motion
SKU Code	SYN-MOTSWITCH
Voltage	12V + 24V
Standby Power	< 0.3W
Sensor Range	0 - 50mm
Material	Plastic
Colour	Silver
Cable Length	2000mm
IP Rating	IP20
Installation	12mm Cut-Out
Dimensions (mm)	L 40.3 x W 11.8



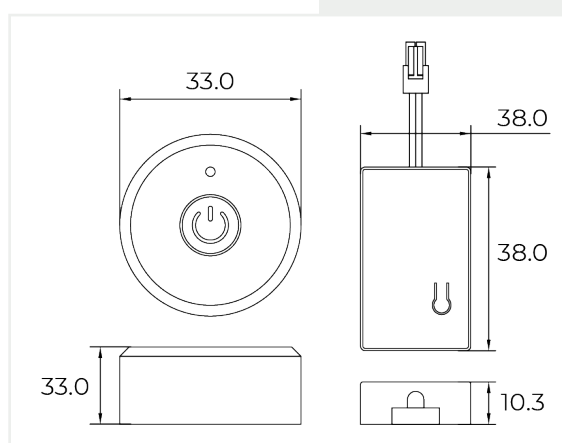
**MOTION SENSOR**

Sensor	Hand
SKU Code	SYN-CABSWITCH
Voltage	12V + 24V
Standby Power	< 0.3W
Sensor Range	0 - 3000mm
Material	Plastic
Colour	Silver
Cable Length	2000mm
IP Rating	IP20
Installation	12mm Cut-Out
Dimensions (mm)	L 40.3 x W 11.8



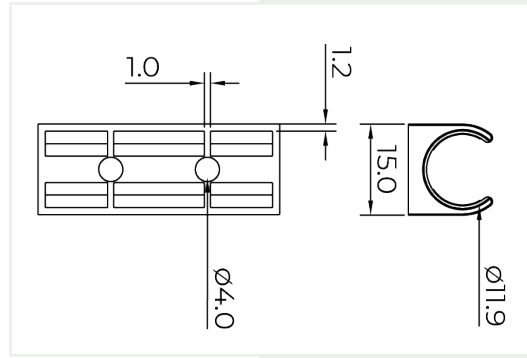
**HAND SENSOR**

Dimmer	Touch
SKU Code	SYN-TCHDIM
Voltage	12V + 24V
Power Supply	CR2032 Battery
Working Distance	20M (obstruction free)
Material	Plastic
Colour	White
Installation	Recessed or Surface Mounted



**TOUCH DIMMER**

Accessory	Mounting Base
SKU Code	SYN-MNTBASE
Material	PC
Colour	Silver
Application	Diameter 12mm Sensor
Installation	Screw Fixing 2x (M3 x 12mm)
Dimensions (mm)	L 40 x W 15 x H 15
Compatible with:	SYN-CABSWITCH SYN-MOTSWITCH SYN-PIRSWITCH



**MOTION SENSOR**